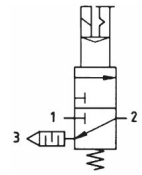


For pressurising and relieving pneumatic systems. 3/2-way type including silencer.  
Ideal as the main "on" valve for service units.  
The pressure in the line is exhausted when the valve is switched off.

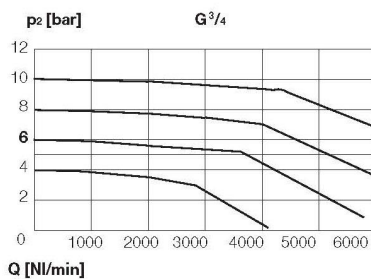


### Technical data

	Size II		
	G <sup>1/2</sup>	G <sup>3/4</sup>	G1**
Connection threads	G <sup>1/2</sup>	G <sup>3/4</sup>	G1**
Nominal rates of flow (NI/min)*	3300	3800	3800
Operating pressure range (p <sub>1</sub> )**	3 - 10 bar (higher pressures available upon request)		
Max. operating temperature	50 °C		
Protection class	IP65 to DIN 40050		
Rated voltage	24V = (optional 24V/50 Hz, 110V/50 Hz, 220V/50 Hz)		
Electrical thread	female connector acc. to DIN 43650, form B ind. PG9		
Material housing	zinc alloy		
Weight	980g	980g	1440g

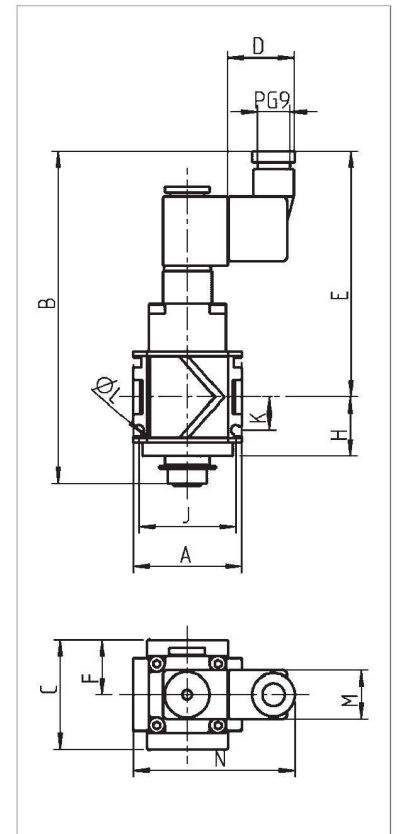
\* Measured at 6 bar pre-pressure (p<sub>1</sub>) and Δp = 1 bar  
\*\* Inlet and outlet only with mounting plates set G1

### Rates of flow



### Dimensions [mm]

Size	II	
Connection thread	G <sup>1/2</sup> , G <sup>3/4</sup>	G1
A	70	124
B	157	157
C	70	70
D (∅)	30	30
E	113	113
F	35	35
H	33	33
J	62	62
K	18	18
L (∅)	5,4	5,4
M	22	22
N	82	82



### On-off valve (3/2-way valve)

Art. No.	Type No.	Thread	Size
100734	VS 24	G 1/2	2
100735	VS 25	G 3/4	2
100736	VS 26	G 1	2

### Spare parts

Art. No.	Type No.	Description
100737	400-447-101	Solenoid 24 V AC / 50 Hz
100738	400-447-107	Solenoid 110 V AC / 50 Hz
100739	400-447-117	Solenoid 230 V AC / 50 Hz
100740	400-447-142	Solenoid 24 V DC
100409	1920.9B	Coupling socket form B, EN 175301-803